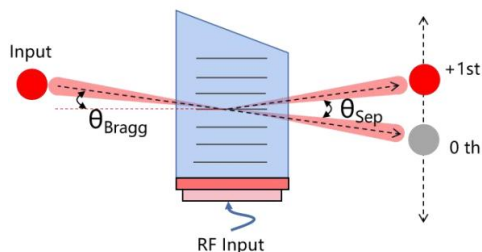


FAOM Specifications 光纤耦合声光调制器产品规格书 FM0013-TL080-P01-1550



1. SPECIFICATIONS (规格)

Interaction material (介质材料)	Tellurium dioxide (二氧化碲)
Acoustic mode (声波模式)	Longitudinal (纵波)
Operating wavelength (工作波长)	1550 nm
RF frequency (射频频率)	80 MHz
3dB bandwidth (3dB 带宽)	9 MHz
Average optical power handling (激光平均功率)	1 W
Fiber type (光纤类型)	PM1550XP
Fiber length (光纤长度)	> 0.8 m
Fiber termination (光纤尾端)	Bare fiber (裸纤)
RF power (射频功率)	2 W (max)
Input impedance (输入阻抗)	50 Ω Nominal
VSWR (驻波比)	< 1.2:1
RF connector (射频接头)	SMA-F
Cooling (散热方式)	Conduction-cooled (传导散热)
Shell material (外壳材料)	Aluminum alloy 6063 (铝6063)
Storage temperature (存储温度)	-20~70 $^{\circ}$ C

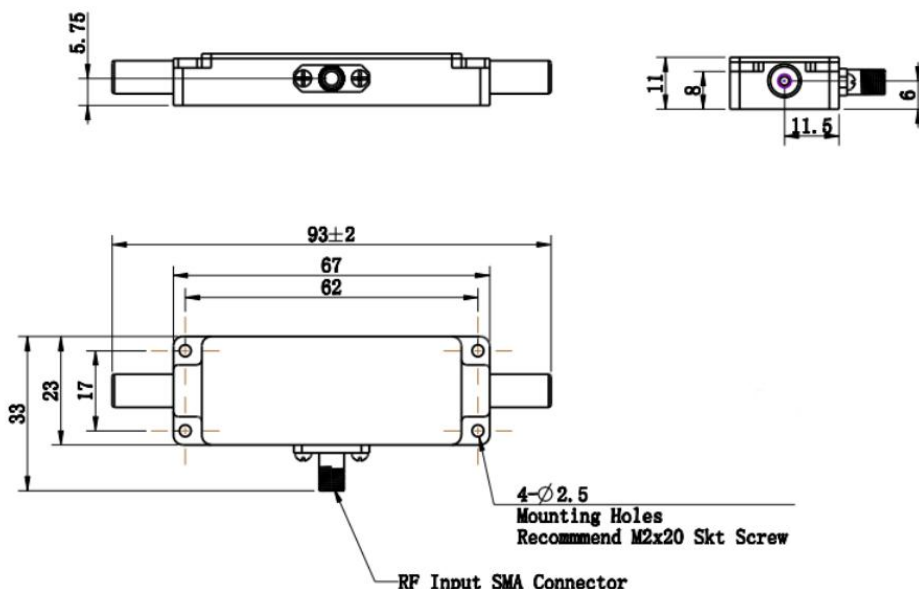
2. PERFORMANCE (性能)

Insertion loss (插入损耗)	≤ 2.5 dB
Extinction ratio (消光比)	≥ 50 dB
Polarization extinction ratio (偏振消光比)	≥ 18 dB
Rise/Fall time (上升/下降时间)	≤ 60 ns

4. ORDERING CODES (编码规则)

	Materials		Acoustic type		Fc	Fiber type		Wavelength	
FM0001	—	X	X	X	XXX	—	XXX	—	XXXX
	TeO ₂	T	Longitudinal	L	80 MHz	080	P02	PM980	1064
	QZ	Q	Shear	S	120 MHz	120	P09	PM10/125	1550
					200 MHz	200			

5. DIMENSIONS (外形尺寸-mm)



6. SUGGESTED RF DRIVER ELECTRONICS (建议驱动型号)

RD1051-080-24-003-CA
RD1056-080-24-003-CA

7. REVISION (版本)

Number (版本号)	Revisions date (修订日期)	Revision (修改项目)	Revision description (修订内容说明)
A	2022. 09. 06	/	/

Quality Assured: In house made, high damage threshold, Vacuum bonding, 100% Diffraction efficiency test & burn-in test.