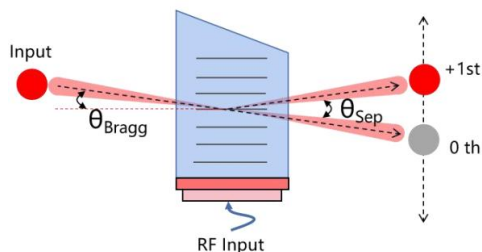


AOM Specifications 声光调制器产品规格书 M0025-TL040-020-532



1. SPECIFICATIONS (规格)

Interaction material (介质材料)	Tellurium dioxide (二氧化碲)
Acoustic mode (声波模式)	Longitudinal (纵波)
Operating wavelength (工作波长)	532nm
Polarization (光偏振)	Linear, vertical to base (线偏振, 垂直于基座)
Transmission (透过率)	> 98%
Active aperture (有效孔径)	2.0mm
Center frequency (Fc) (中心频率)	40MHz
Diffraction efficiency (衍射效率)	>85%
RF power (射频功率)	10W (max)
Input Impedance (输入阻抗)	50Ω Nominal
VSWR (驻波比) @Fc	< 1.3:1
RF connector (射频接头)	SMA-F
Cooling (散热方式)	Conduction-cooled (传导散热)
Shell material (外壳材料)	Aluminum alloy (铝合金)
Storage temperature (存储温度)	-20~70°C

2. PERFORMANCE vs. WAVELENGTH (性能 vs. 波长)

Wavelength (光波长) -nm	532
Bragg angle (布拉格角) -mrad	2.53
Separation angle (分离角) -mrad	5.06

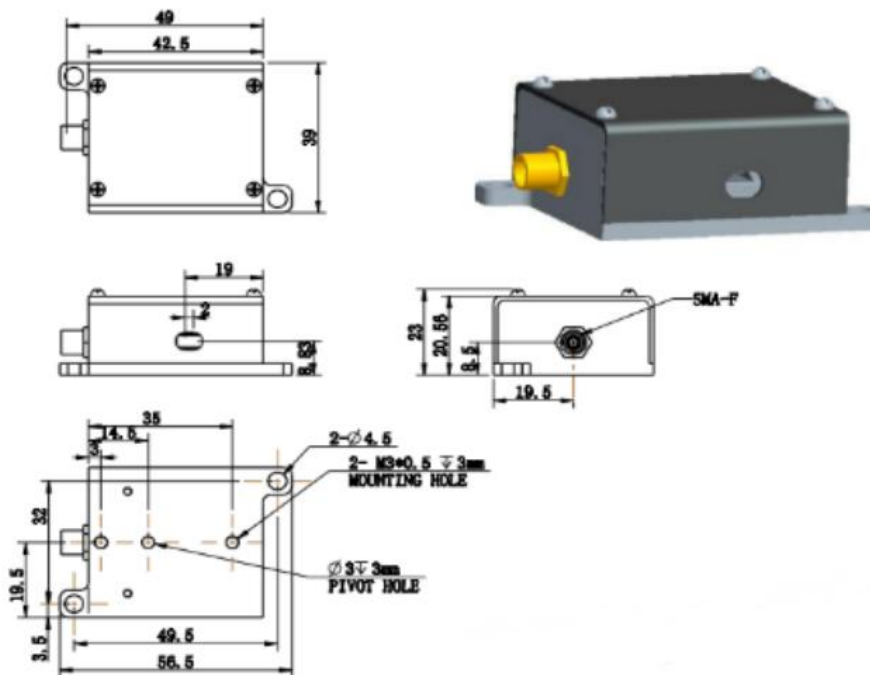
3. ESTIMATED PERFORMANCE vs. BEAM DIAMETER (预估性能 vs. 光束直径)

Beam diameter (光束直径) -mm	0.5	1	1.5
Rise time (上升沿时间) -ns	77.5	155	232.5
Diffraction efficiency (衍射效率) @Fc	85%	85%	85%

4. ORDERING CODES (编码规则)

	Materials		Acoustic type		Fc	Active aperture		Wavelength	
M0001	—	X	X	X	XXX	—	XXX	—	XXXX
	QZ	Q	Longitudinal	L	27.12 MHz	027	040	4 mm	1030
	TeO ₂	T	Shear	S	40.68 MHz	041	060	6 mm	1064
	Ge	G			80 MHz	080	080	8 mm	9600

5. DIMENSIONS (外形尺寸-mm)



6. SUGGESTED RF DRIVER ELECTRONICS (建议驱动型号)

7. REVISION (版本)

Number (版本号)	Revisions date (修订日期)	Revision (修改项目)	Revision description (修订内容说明)
A	2022. 7. 27		

Quality Assured: In house made, high damage threshold, Vacuum bonding, 100% Diffraction efficiency test & burn-in test.