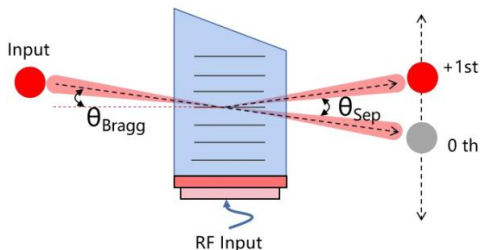


AOM Specifications 声光调制器产品规格书 M0051-QL125-010-780



1. SPECIFICATIONS (规格)

Interaction material (介质材料)	Crystal quartz (石英)
Acoustic mode (声波模式)	Longitudinal (纵波)
Operating wavelength (工作波长)	780nm
Polarization (光偏振)	Linear, vertical to base (线偏振, 垂直于基座)
Transmission (透过率)	>99.6%
Active aperture (有效孔径)	1.0mm
Center frequency (Fc) (中心频率)	125MHz
Diffraction efficiency (衍射效率)	>70%@15W
RF power (射频功率)	20W (max)
Input Impedance (输入阻抗)	50Ω Nominal
VSWR (驻波比) @Fc	< 1.2:1
RF connector (射频接头)	SMA-F
Cooling (散热方式)	Conduction-cooled (传导散热)
Shell material (外壳材料)	Aluminum alloy (铝合金)
Storage temperature (存储温度)	-20~70°C

2. PERFORMANCE vs. WAVELENGTH (性能 vs. 波长)

Wavelength (光波长) -nm	780
Bragg angle (布拉格角) -mrad	8.5
Separation angle (分离角) -mrad	17.0

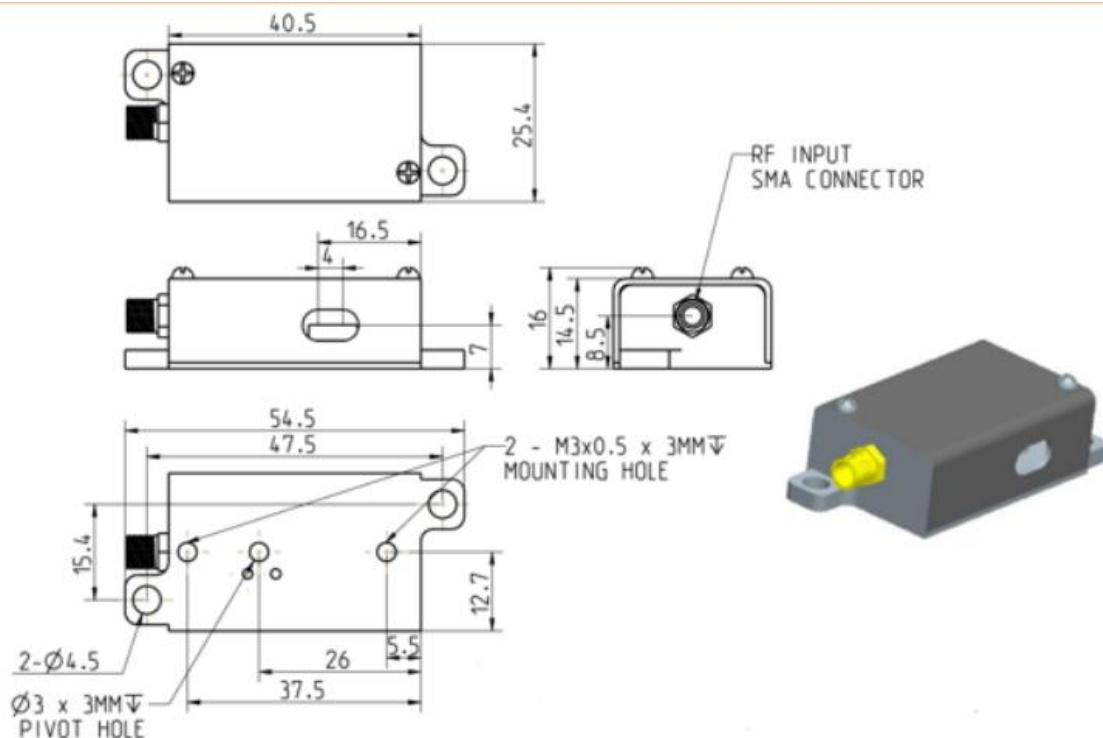
3. ESTIMATED PERFORMANCE vs. BEAM DIAMETER (预估性能 vs. 光束直径)

Beam diameter (光束直径) -mm	1
Rise time (上升沿时间) -ns	113
Diffraction efficiency (衍射效率) @Fc	85%

4. ORDERING CODES (编码规则)

	Fc		Active aperture		Wavelength
M0001—QL	XXX	—	XXX	—	XXXX
27.12 MHz	027		040 4 mm		532 532 nm
40.68 MHz	041		060 6 mm		1064 1064 nm
80 MHz	080		080 8 mm		

5. DIMENSIONS (外形尺寸-mm)



6. SUGGESTED RF DRIVER ELECTRONICS (建议驱动型号)

RD1065-125-24-020-CA

7. REVISION (版本)

Number (版本号)	Revisions date (修订日期)	Revision (修改项目)	Revision description (修订内容说明)
A	2024. 8. 2	New	/

Quality Assured: In house made, high damage threshold, Vacuum bonding, 100% Diffraction efficiency test & burn-in test.